

Sub Floor Ventilation

- Living in a house that feels damp?
- Musty odours?
- Mould infestation in living areas?
- Signs of termites or rotted timber?
- The Mould Doctor can help by installing a Sub Floor Ventilation system



Research has proven that people get sick from damp floors and rising dampness in their homes. This has a major effect on the health of Australian home owners.

The cure for rising damp is damp air removal. It can affect the respiratory system, causing sneezing, coughing, headache, fatigue and wheezing, as well as respiratory infections.

In particular young children, the elderly, people with asthma and allergies or people with compromised immune systems are at risk of developing mould-related health complications.

SUBFLOOR VENTILATION SYSTEM

Excessive subfloor moisture can cause several problems. The most common problems are rising damp, wood rot, pest or termite infestations and unpleasant odours. If untreated, this could lead to growing mould, mildew and serious health issues.

Mould isn't just an unsightly problem – it's a serious health risk. We can help you prevent all this, simply by installing a subfloor ventilation system to remove ground moisture from underneath raised floors, creating a drier and warmer subfloor area. Our system is an affordable, economic and long-lasting solution.

We ensure that your subfloor ventilation system, installed by our highly trained technicians, is running perfectly so it will effectively reduce excess subfloor moisture and fix your damp problems.

The system is designed to exhaust damp trapped from the air from the subfloor and introduce fresh air in through existing or new passive vents. It works from drawing in fresh air from outside one side of your home and circulating that while on the other side is a damp air removal system. This cross-flow ventilation from one side to the other, creates air change through your house renewing the fresh air up to 15 times an hour during day light hours. Any rising damp will be picked up and removed, preventing rising damp from entering your home.

The outcome is that excessive moisture will no longer make its way inside your home. The subfloor ventilation system eliminates musty smells, pest infestations, rotting timbers and most importantly health problems as a result of dampness in your home. The Mould Doctor will create a healthy home and living environment for you and your family.

THE BLAUBERG SYSTEM

The Mould Doctor carefully selected the Blauberg International line as our subfloor ventilation system.

Manufactured in Germany using the latest technology ensures superior performance, reliability and low operating costs.

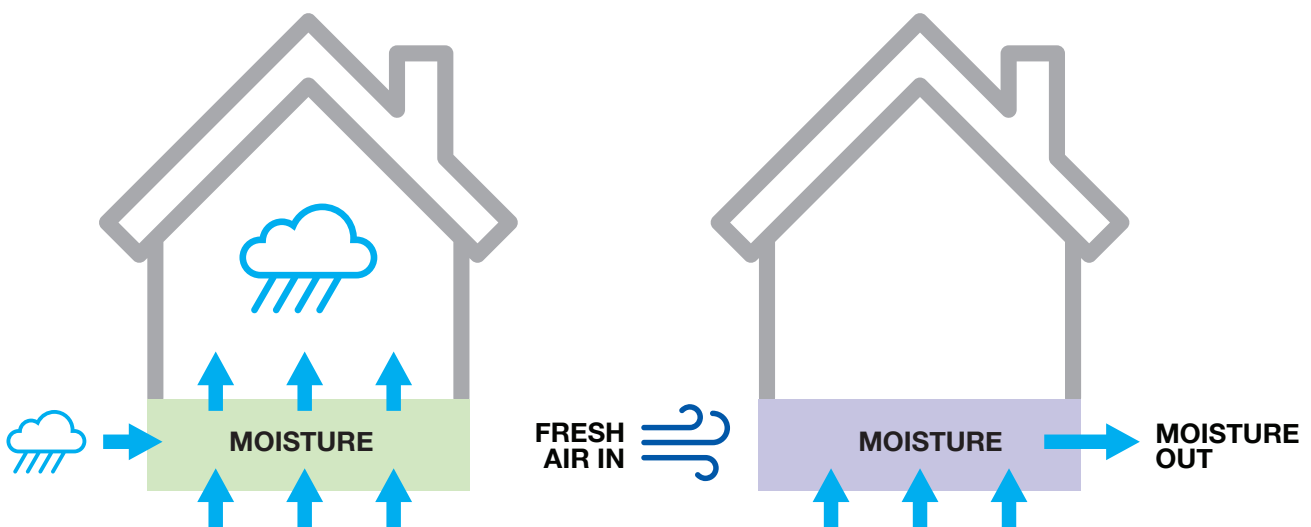
This subfloor ventilation system will design effectiveness, result in cost and energy efficiency, reliability and low maintenance requirements, compliance with Australian standards, unobtrusive operation and aesthetics.

The Mould Doctor uses the exclusive silent ventilation Blauberg ISO fans, Centro M, metal cased air pumps and smart fan models.

- A five-year warranty on all Blauberg products
- Steel and fire-resistant casing with resistant coating for reduction of vibration and longevity
- Insulated ducting is used for improved acoustic performance and special imported high moisture resistant (PVC fume control duct) PFC duct is used to improve durability and longevity in damp subfloor environments
- To make sure the pumps only run during daylight hours, timers will be installed next to the subfloor access for easy service and maintenance



Our system is an affordable, economic and long-lasting solution



ISO-MIX 150 USW1 SILENT MIX FLOW FAN

- 150mm silent inline mix flow duct fan
- Two speed switching
- 1.2m power cord

Applications

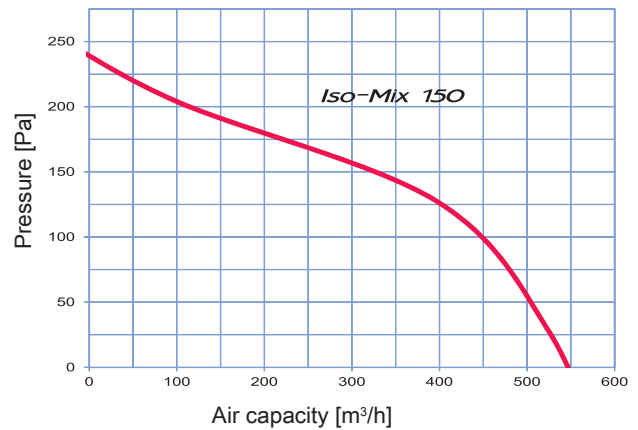
- Kitchens
- Commercial
- Apartments
- Industrial



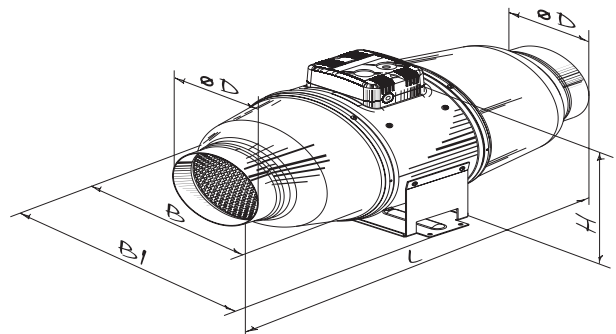
Technical specification

Voltage [V/50 Hz]	220-240 AC
Power [W]	45-52
Current [A]	0.20-0.23
Extract capacity [m ³ /h]	410-550
Noise level 3m [dBA]	26-33
r.p.m.	1985-2640
Installation type	Inline duct
Installation position	Any
DN (diameter nominal) [mm]	150
Air flow temperature [°C]	-25 - +60
Index of protection	IP X4
Internal thermal protection	Manual reset
Colour	Blauberg grey
Casing material	Polymer-coated steel
Warranty	5 years

Characteristic curve



Dimensions [mm]



Type	Dimensions [mm]				
	d	b	b1	l	h
ISO MIX 150 USW1	148	247	273	579	263

Sound power levels

Sound pressure level	Octave-frequency band [Hz]								
	Gen	63	125	250	500	1000	2000	4000	8000
LwA to inlet, dBA	61	25	33	49	55	53	55	53	39
LwA to outlet, dBA	59	35	36	51	55	55	55	40	42
LwA to environment, dBA	39	19	22	39	35	36	36	24	21

